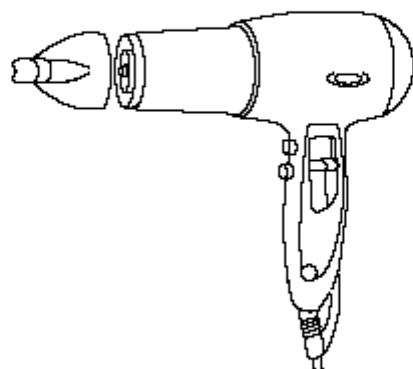
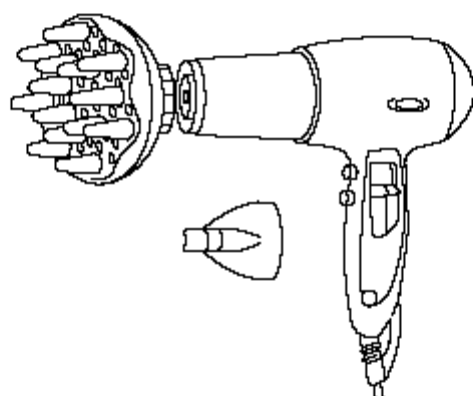


Rowenta

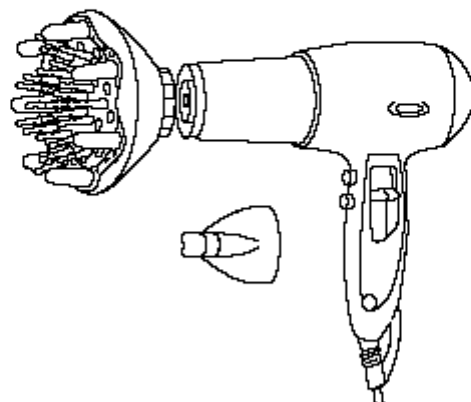
PROTECT PRO



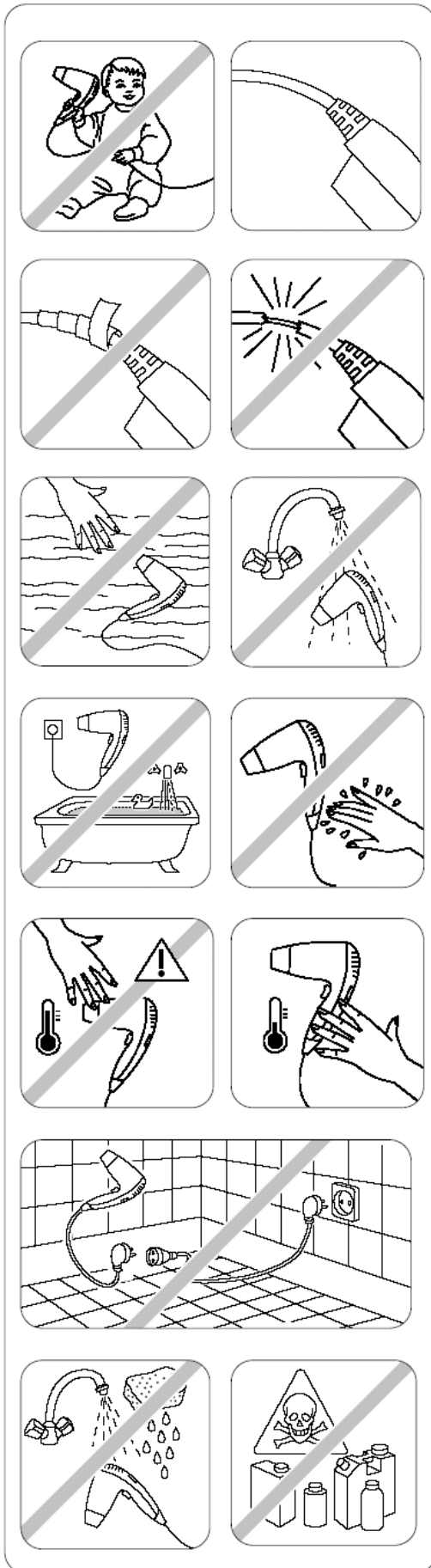
CV7010



CV7020



CV7030



SAFETY

• Ensure that the voltage of your electrical installation corresponds to that of your appliance. Incorrect connection may cause irreversible damage which will not be covered by the guarantee.

• Don't use your appliance and contact a service Centre if :
- your appliance is dropped
- if it doesn't work normally

• Never use it with wet hands or near water (bath, sink, etc.).

• To ensure additional protection, we recommend that you



have a differential residual circuit breaker installed, with an operating differential of no more than 30 mA. Contact your installer for advice.

• If the power cable is damaged, it must be replaced by the manufacturer, its after-sales service or a person with similar qualifications to avoid any danger.

• Your appliance can only be repaired using special tools
• The appliance is equipped with a safety cut-out switch.

In the event of overheating, the appliance stops automatically. In this case, unplug it and wait for approximately 20 minutes.

• The appliance must be unplugged :

- before cleaning
- in case of any operating problems
- as soon as you have finished using it
- if you have to leave it unattended, even for a few moments.

GUARANTEE

This appliance has been designed for a domestic use only. It can not be used in any professional application.

• The guarantee becomes null and void in case of incorrect use.

PROTECTION OF THE ENVIRONMENT

At the end of the life of your product, it should go to a specially-adapted waste recycling centre



WIRING INSTRUCTIONS - FOR U.K. ONLY. SAFETY NOTES - FOR REWIREABLE OR MOULDED PLUG

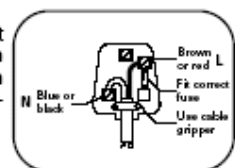
The mains lead of this appliance may be already fitted with a BS 1363 13 A plug. Should the fuse need to be replaced, a 13 A ASTA approved BS 1362 fuse must be used.

If your socket outlet is not suitable for the plug, then the plug must be removed (cut off if it is a moulded on plug) and an appropriate one fitted. Warning : dispose of a plug that has been cut from the power supply cord, as such a plug is hazardous if inserted in a live 13 A socket outlet elsewhere in the house.

Always replace the fuse cover after fitting a fuse. The plug must NOT be used if the cover is omitted or lost until a replacement is obtained - make certain that only the correct fuse cover is used and fitted.

For plugs with a detachable fuse cover the replacement must be the same as the colour insert in the base of the plug, or as directly by the embossed wording on the base of the plug.

If the detachable fuse cover is lost, a replacement may be purchased from an approved Rowenta Service Centre (see enclosed Service Information leaflet). Information for supply may also be obtained from the plug manufacturer.



U.K ONLY - FITTING A PLUG

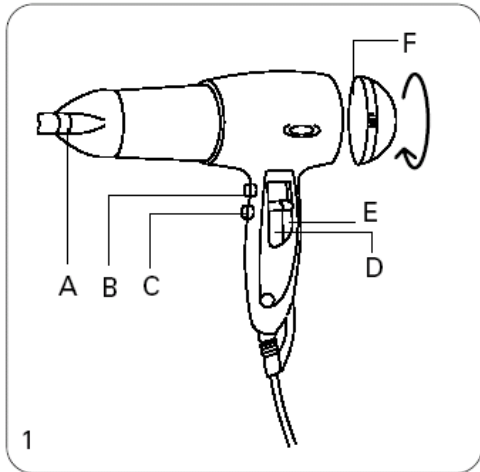
Important : the wires in this lead are coloured in accordance with the following codes Blue, Neutral, Brown, live. Please read the instructions given below before connecting the cord to a plug. If in doubt, please consult a qualified electrician.

As the colours of the wires in the mains lead of this appliance may not correspond with the coloured markings identifying the terminals in your plug, proceed as follows :

- the wire which is coloured BLUE must be connected to the terminal which is marked with the letter " N " or coloured BLACK.
- the wire which is coloured BROWN must be connected to the terminal which is marked with the letter " L " or coloured RED.

Neither core is to be connected to the earth terminal of a three-pin plug.

This appliance requires a 13 fuse ASTA approved to BS 1362.



1 - DESCRIPTION (drawing n°1)

- | | |
|-------------------------|-------------------------|
| A - Concentrator | D - Temperature control |
| B - Cold air shot | E - Fan power control |
| C - Turbo-charge button | F - Removable grid |

2 - USE

CHOICE OF THERMO OPTIMUM TEMPERATURE

a/ Thermo Optimum Drying setting (...):

- When drying, a low temperature setting is recommended. This is due to the fact that when hair is wet, it is more vulnerable. Excessive heat would damage it.
- Drying speed mainly depends on the fan speed, which you can adjust.

• Hair dried with Thermo Optimum setting: the protective scales are smooth, your hair is treated with care.

• Hair dried too hot: the protective scales are open, your hair is dull and lack-lustre.

b/ Thermo Optimum ultra-gentle drying position (...)

c/ Thermo Optimum Styling setting (...):

- For styling pre-dried hair, you can use a more intense heat setting, in order to make styling and setting easier.
- Use the cold air shot periodically ❄️ in order to set your hair (drawing n°5).

CHOICE OF SPEED

• You can select your hair dryer's fan speed for a fast air flow or for a more gentle flow, without changing the Thermo Optimum temperature.

- A fast air flow is recommended for Thermo-optimum drying.
- A medium flow is recommended for Thermo Optimum styling, in order to avoid ruffling your hair.

3 - ACCESSORIES:

CAUTION: BAYONET FITTING: ROTATE THE ACCESSORIES TO ATTACH OR REMOVE FROM THE HAIRDRYER.

Concentrator: (A)

To blow dry or to dry a specific area of hair, use the concentrator nozzle, which will direct the hot air flow onto the required spot.

"Moving Massager" diffuser (drawing n° 2)

• To add volume to your hair, without damaging it, use the mobile finger diffuser. The round-tipped fingers gently grasp your hair at the roots and lift it. The massaging action provides bouncy, long-lasting volume from the very root of your hair.

• Use your diffuser after shampooing and thoroughly towel-drying your hair.

• On shoulder-length or long hair, it is preferable to pre-dry lengths and tips.

• Short and shoulder-length hair provides the best results.

"Classic Volume" diffuser (drawing n°3)

• Curled effect (naturally curly or permed hair), (drawing n°6) Hold your head down and pass the diffuser through the lengths and tips.

• Natural volume effect (short or shoulder-length hair) (drawing n°7) Apply the diffuser to the root and make circular movements.

4 - CLEANING:

CAUTION: always unplug your appliance before cleaning.

• Your hair dryer requires very little attention. You can clean it, together with its accessories, using a slightly damp cloth to remove hair or impurities trapped in the rear grid.

- Never clean your appliance with alcohol.
- Never immerse your appliance or its accessories in water.
- Carefully dry all parts you have just cleaned.

