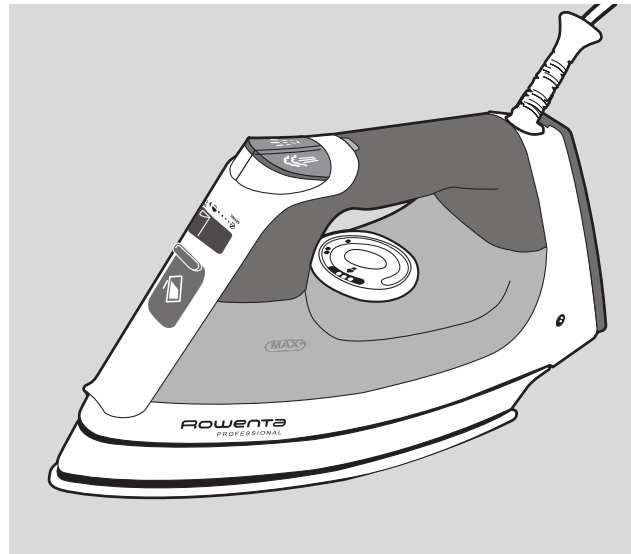
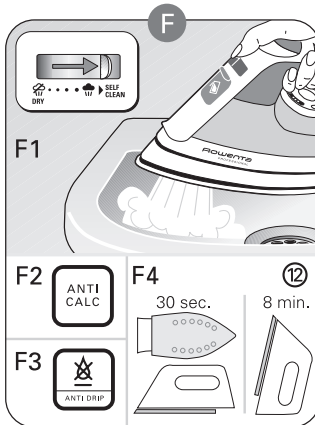
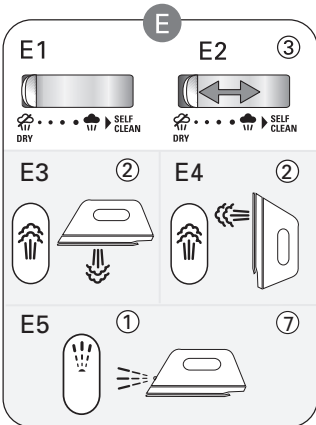
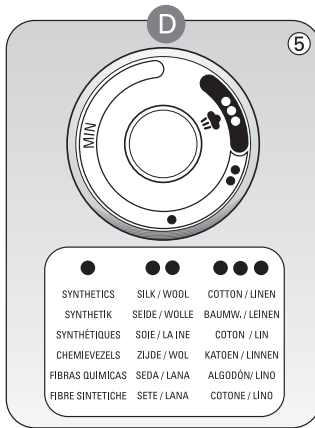
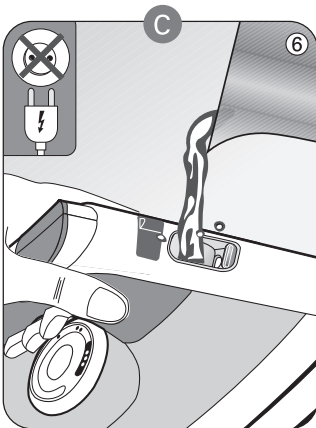
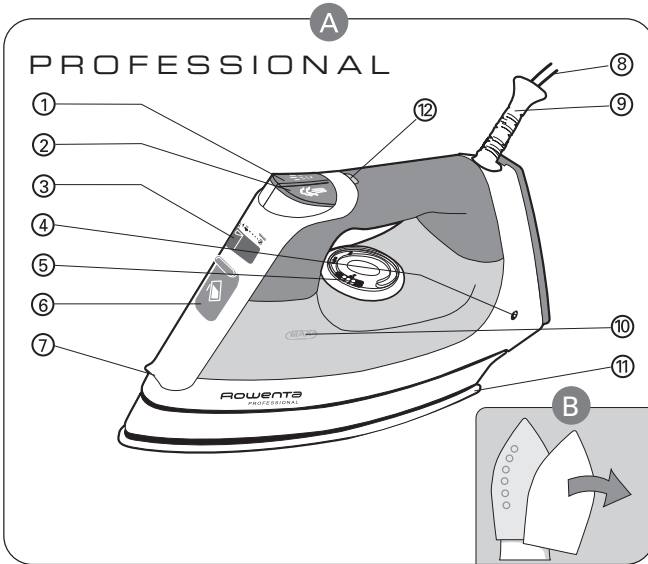


ROWENTA

PROFESSIONAL



- | | | |
|----|---|---------------------|
| GB | Please read carefully the instructions for use and the Safety Points to Note. Pay particular attention to the fold-out page with the illustrations. | page
1 |
| D | Bitte lesen Sie diese Gebrauchsanweisung und die Sicherheitshinweise aufmerksam durch. Beachten Sie dabei die Abbildungen auf der ausklappbaren Bildseite. | Seite
5 |
| F | Lire attentivement le mode d'emploi (et le conserver pour pouvoir le consulter). Pendant la lecture, déplier la page avec les illustrations. | page
9 |
| I | Leggere attentamente le presenti istruzioni per l'uso e le norme di sicurezza. Osservare la figura sui risvolli illustrati. | pagina
13 |
| E | Lea en su totalidad el modo de empleo, conservándolo para consultas posteriores. Para su lectura, abra por la página ilustrada. | pág.
17 |
| P | E favor ler com toda a atenção estas instruções de serviço, assim como as instruções de segurança. Sera conveniente consultarem se as figuras que se encontram nas página ilustrada desdobreveil. | pag.
21 |
| RF | Пожалуйста, тщательно прочитайте эту инструкцию по эксплуатации и обратите особое внимание на правила техники безопасности. Во время чтения этой инструкции обратито внимание на рисунок, изображенный на внутренней стороне сложной брошюры. | стр.
25 |



English

Dear customer,

thank you for purchasing this appliance. Please read the operating instructions carefully and keep them in a safe place.

A

Appliance description

- | | |
|--|--|
| 1 Spray button | 7 Spray nozzle |
| 2 Extra Long Shot button | 8 Mains supply cord |
| 3 Variable steam control with Self Clean Function and Dry Position | 9 Flexible cord support |
| 4 Thermostat light | 10 Water tank with maximum water level indicator |
| 5 Temperature control dial | 11 Soleplate |
| 6 Water filling inlet with cover | 12 Automatic switch-off indicator light (depending on model) |

Safety instructions

- The appliance complies with EU directives 72/23/EEC and 89/336/EEC.
- The appliance may only be connected to alternating current as specified on the rating plate.
- An electrical appliance is not a toy. Use and store the appliance out of reach of children. Do not let the supply cord hang down.
- Do not leave the appliance unattended while it is connected to the mains supply.
- Electrical appliances generate high temperatures. Always use the handles provided and warn other users of the potential dangers (e.g. escaping steam or hot water, especially when ironing vertically).
- Never iron clothing which is being worn.
- Always disconnect the appliance:
 - before filling or emptying the water tank;
 - before leaving the room (even for a short time);
 - after use.
- Never unplug the appliance by tugging on the cord.
- Only use an extension lead or cord reel which is rated at 10A or greater and has an earth.
- Do not immerse the appliance in water.
- An electrical appliance should not be used if:
 - the appliance, the supply cord or the cord protector is damaged;
 - the appliance has been dropped;
 - the appliance is obviously leaking. In this case the appliance should be returned to an approved Rowenta Service Dealer for repair. (See enclosed list for addresses.)
- Repairs to electrical appliances may only be carried out by specialists. Improperly carried out repairs can cause serious danger to users. To avoid danger to users, a defective or damaged supply cord may only be replaced by an authorised Rowenta service centre.
- This product has been designed for domestic use only. Any commercial use, inappropriate use or failure to comply with the Instructions, the manufacturer accepts no responsibility and the guarantee will not apply.
- When the appliance has reached the end of its operational life it should be disposed of through the correct channels.

B Before use



BEFORE DOING ANYTHING ELSE, REMOVE THE SOLEPLATE PROTECTOR.

Before using the iron for the first time:

- Heat the appliance at the maximum setting without water (see D). A little smoke and a slight smell may be emitted, but this is only temporary. The water tank can then be filled directly with untreated tap water using a jug (see C).
- Each time you begin ironing, allow the iron to emit steam for at least the first 1 minute. During this time press the power steam button from time to time to release several bursts of steam. Any particles released through the soleplate during first use are harmless and are due to the newness of your iron.

Deutsch

Liebe Kundin, lieber Kunde,
herzlichen Glückwunsch zum Kauf dieses Gerätes und vielen Dank für Ihr Vertrauen. Die Gebrauchsanleitung bitte sorgfältig lesen und aufbewahren.

A

Produktbeschreibung

- | | | | |
|---|---|----|--|
| 1 | Spraytaste | 7 | Sprühdüse |
| 2 | Taste für extra langen Dampfstoß | 8 | Netzzuleitung |
| 3 | Dampfbregler mit Self Clean Funktion und Dry Position | 9 | Knickschutztülle |
| 4 | Kontrolllampe | 10 | Wassertank mit Anzeige für maximale Füllhöhe |
| 5 | Temperaturregler | 11 | Sohle |
| 6 | Einfüllöffnung mit Abdeckung | 12 | Anzeige für Abschaltautomatik (je nach Modell) |

Sicherheitshinweise

- Das Gerät entspricht den EU-Richtlinien 73/23/EWG und 89/336/EWG.
- Gerät nur an Wechselstrom gemäß der Typenschildaufschrift anschließen.
- Bei Haus-/Wohnungsinstallationen mit einer Fehlerstrom-Schutzschaltung, bitte sicherstellen, dass es sich um einen pulsstromsensitiven Schutzschalter handelt.
- Gerät nicht unbeaufsichtigt lassen, während es am Netz angeschlossen ist.
- Gerät außer Reichweite von Kindern benutzen und aufbewahren.
- Das Bügeleisen und austretendes Wasser und Dampf sind heiß. Benutzen Sie die vorgesehenen Griffe.
- Dampf nicht auf Personen und Tiere richten oder am Körper befindliche Kleidungsstücke behandeln.
- Vor jedem Befüllen und Entleeren sowie nach dem Gebrauch und vor Reinigung und Pflege den Netzstecker ziehen.
- Stecker nicht an der Leitung aus der Steckdose ziehen.
- Gerät nicht ins Wasser tauchen.
- Nehmen Sie das Gerät nicht in Betrieb, wenn:
 - das Gerät, die Zuleitung oder Knickschutztülle defekt oder beschädigt sind.
 - das Gerät heruntergefallen oder undicht ist.

Das beschädigte Gerät an eine Rowenta Kundendienststelle schicken (Adressen siehe Servicespiegel). Reparaturen sowie Austausch von Zuleitungen dürfen nur von Rowenta Kundendienststellen durchgeführt werden, um Gefährdungen zu vermeiden.

- Wird das Gerät zweckentfremdet oder falsch bedient, kann keine Haftung für einen eventuellen Schaden übernommen werden.
- Am Ende der Lebensdauer das Gerät ordnungsgemäß entsorgen.

B Vor dem Gebrauch




ENTFERNEN SIE ZUERST DEN SOHLENSCHUTZ!

Vor dem ersten Bügeln:

- das Gerät ohne Wasser auf höchster Stufe aufheizen lassen (siehe Punkt D). Es kann zu leichten Rauch- und Geruchsbildungen kommen, die schnell vorüber gehen.
- Anschließend kann der Wassertank befüllt werden (siehe Punkt C).
- Das Bügeleisen nach dem Befüllen und Aufheizen mindestens 1 Minute dampfen lassen und dabei gelegentlich die Dampfstoßtaste drücken, um evtl. Fertigungsrückstände in der Sohle zu beseitigen. 5

C Filling the water tank

⚠ Before filling the water tank, unplug from the mains and set the steam control to the Dry position .

To open the water filling inlet, push the cover downwards, tilt the iron and pour in untreated tap water up to the maximum level (1). Close the cover before holding the iron horizontal again.




What water may be used?

Your iron has been designed to operate using untreated tap water. However, if your water is very hard, you can mix it 50% tap water with 50% distilled or demineralised water.

⚠ Do not add anything to the contents of the water tank and do not use water from clothes dryers, scented or softened water, water from refrigerators, batteries or air conditioners, pure distilled water, rain water, boiled water, bottled water or filtered water. These contain organic waste or mineral elements that become concentrated when heated and cause spitting, brown staining or premature wear to your iron.

⚠ Tip: Spray starch onto the reverse side of the fabric to be ironed to avoid stains on the soleplate.

D Setting the temperature

Ironing label	Fabric	Temperature control
	Synthetic fibres e.g. viscose, polyester	●
	silk, wool	● ●
	cotton, linen	● ● ●


Using the temperature control (5), set the iron temperature to suit the type of material. We recommend using the above table as a guide. The thermostat light (4) indicates that the soleplate is heating up. When the light goes out, the required temperature has been reached.

⚠ Please note: When heating up the iron from cold, wait until the thermostat light has gone out a second time. Only then is the set temperature reached.


Tip: We recommend that you start with fabrics to be ironed at a low temperature as the iron takes longer to cool down than to heat up. For mixed fabrics set the temperature for the most delicate fabrics.

E Ironing and Steam functions

E1 Ironing with Dry Position (without steam)

To iron without continuous steam and for perfect finishing results turn the steam control (3) to the Dry Position . It will engage with a "Click". Set the temperature to suit the type of material (care points ●, ●● or ●●●).

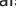
E2 Steam ironing

You can iron with continuous steam by setting the temperature dial (5) in the marked steam zone (after ●●). The steam quantity can be set between minimum (see drawing E2, smallest dot) and maximum steam . We recommend setting to maximum steam quantity only when the iron is at maximum temperature setting to avoid droplets of water leaking from the soleplate.

E3 Extra Long Shot button (temperature setting at maximum)

Your iron is equipped with a new special Extra Long Shot, which allows you to iron out creases perfectly, specifically on dry and thick fabrics. By pressing the Extra Long Shot button (2) steam is pushed with more pressure into the fabrics, because of this new technology. The steam reaches a bigger area and penetrates much deeper into fabrics. So you get excellent results from your ironing.

The pressure generated may cause a slight noise. **This is not a technical fault!**

The Extra Long Shot (E3) is also possible to use if the steam control is set to the Dry Position .

- E4 **Vertical steam ironing** (steam control setting to ☁)
Ideal for removing creases from suits, jackets, skirts, hanging curtains etc.



Important!

Never steam or iron clothing that is being worn!

- Hang the garment on a hanger
- Set the thermostat control to maximum
- Hold the iron a few centimetres away from the garment to avoid burning delicate fabrics
- Press the extra long shot button repeatedly (maximum every 2 seconds), moving the iron from top to bottom

You should allow approximately 2 seconds between each burst of steam.



Important: Never direct the steam at persons or animals!

Do not touch delicate fabrics with the hot soleplate!

- E5 **Spray function**

To dampen stubborn creases, press the spray button (1).



Additional functions

- F1 **Self Clean** – prolongs the life of the iron

The Self Clean function flushes dirt and scale particles out of the steam chamber.

To operate:

- Fill the tank with untreated tap water up to the maximum mark and heat the iron to max. temperature for 2 minutes.
- Unplug from the mains.
- Hold iron over a sink horizontally, push the steam control past the ☁ position and into the Self Clean position and hold it there: steam will now begin to build up. After a few seconds water and steam will emerge from the soleplate, rinsing impurities and scale particles out of the steam chamber.
- After approx. 1 minute move the steam control slide to the ☁ position.
- Insert mains plug and allow the iron to heat up again.
- Wait until the remaining water has evaporated.
- Unplug from the mains and allow iron to fully cool down.
- When cool, the soleplate can be wiped with a damp cloth.

We recommend using the Self Clean function approx. every 2 weeks. If your water is very hard, the iron should be cleaned weekly.

Self Clean Valve

The self clean valve prevents the drip hole into the steam chamber from furring or blocking up. To ensure the iron continues to function properly, open and close the valve by sliding the steam control to max then min a few times after use.

- F2 **Anti-scale system** (depending on model)

Your iron contains an anti-scale cartridge to reduce scale deposits. This considerably prolongs the operational life of your iron. The anti scale cartridge is an integral part of the water tank and does not need to be replaced.



Do not use descaling agents, as they will damage the lining of the steam chamber and so may impair the steam function.

- F3 **Anti-Drip System** (depending on model)

If the temperature is set too low, the iron cannot produce steam because of the anti-drip technology which prevents droplets of water leaking from the soleplate.

- F4 **Electronic 3-stage automatic switch-off** (depending on model)

If the iron is switched on and not moved for a period of 8 minutes while standing on its heel or 30 seconds while standing on the soleplate or lying on its side, an internal safety feature will switch the iron off and the automatic switch-off indicator will blink. Move the appliance sharply to switch it on again.



After ironing

- Unplug from the mains, pour away remaining water and set steam control to ☁. Then allow the appliance to cool down.
- Do not wind the cord round a hot soleplate.
- Store the iron standing on its heel.



Cleaning and maintenance

When cool, the iron and the soleplate can be wiped with a damp cloth. Do not use corrosive or abrasive cleaning agents or sharp objects to clean the soleplate. Depending on the model, if the soleplate is stainless steel it can be cleaned using a Rowenta Soleplate Cleaning Stick.

**Important:**

If the appliance has been standing unused for long periods, hold it horizontally and allow it to emit steam for 1 minute to clean the steam ducts and remove any residue from the iron.

**Problems?**

Problem	Possible cause	Solution
The soleplate does not heat up or the thermostat light does not come on.	No power supply.	Check that the mains plug is properly inserted or try plugging the iron into a different socket.
	The temperature control is on position "0" or set too low.	Turn the temperature control to the required setting.
Thermostat light goes on and off.	This is normal.	When the thermostat light goes on and off, the iron is heating up. As soon as the light goes off, the steam temperature has been reached.
None or too little steam is being emitted.	The steam control is set on position  .	Turn the steam control to the required setting area.
	There is insufficient water in the tank.	Fill the tank (C).
	The Anti-Drip function is active (depending on model).	Wait for the soleplate to reach the correct temperature.
Brown streaks come through the holes in the soleplate and stain the fabric.	You are using chemical descaling agents.	Do not add any descaling agents to the water in the water tank.
	Pure distilled/demineralised or softened water is being used.	Only use untreated tap water or mix half tap water with half distilled/demineralised water.
	Your linen is not rinsed sufficiently or you have ironed a new garment before washing it.	Ensure linen is rinsed thoroughly to remove any soap deposits or chemicals on new garments which may be sucked up by the iron.
The soleplate is dirty or brown and can stain the linen.	You are using a too high temperature.	See the temperature table to correctly set the thermostat.
	You are using starch.	Clean the soleplate as indicated in section H. Always spray starch onto the reverse side of the fabric to be ironed.
Iron is leaking.	Overuse of extra long shot of steam button	Allow more time between each burst.
The soleplate is scratched or damaged.	You have placed your iron flat on a metallic rest plate.	Always set the iron on its heel.
	You have ironed over a zip.	Try to avoid ironing over zips which may have rough edges.

If you have any further problems or queries with our products please call our Customer Relations Team first for expert help and advice:

HELPLINE: 0845 602 1454 – UK (01) 4751947 – Ireland

Or consult our website: www.rowenta.uk

In line with a policy of continuous product improvement Rowenta reserves the rights to change product specifications without prior notice.