

Notice d'emploi

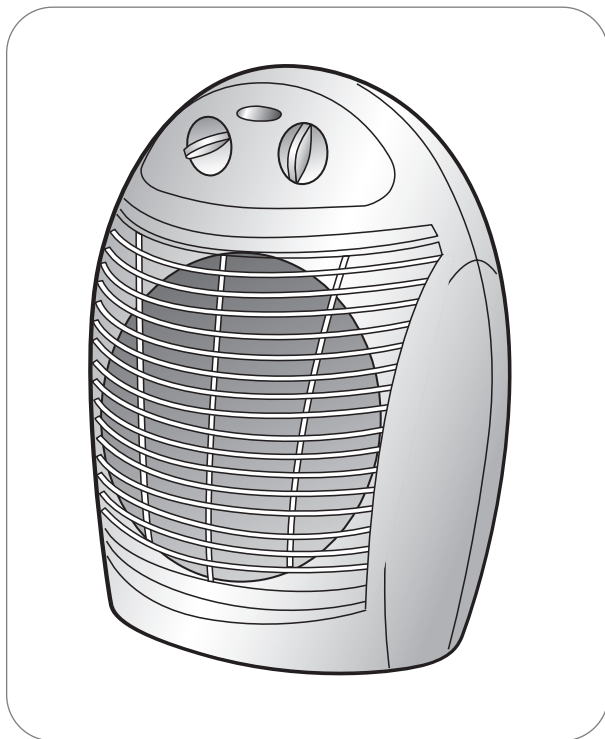
A lire attentivement et à conserver

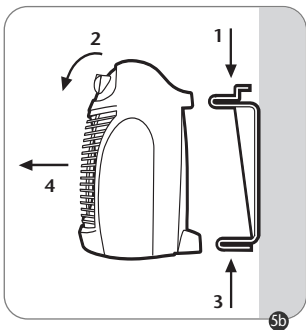
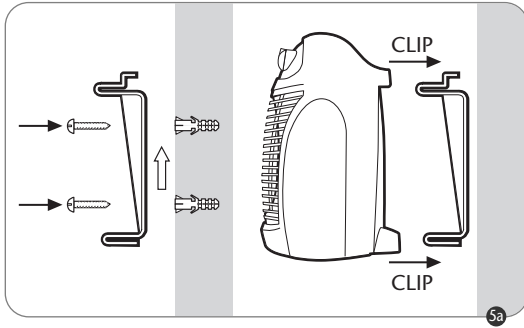
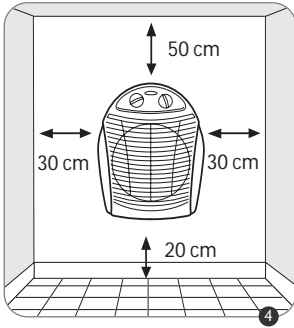
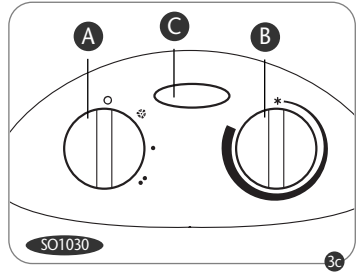
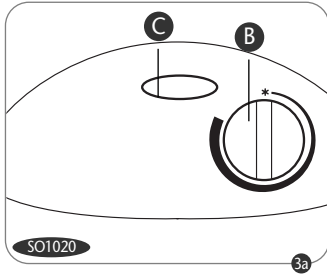
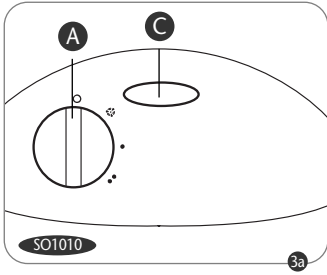
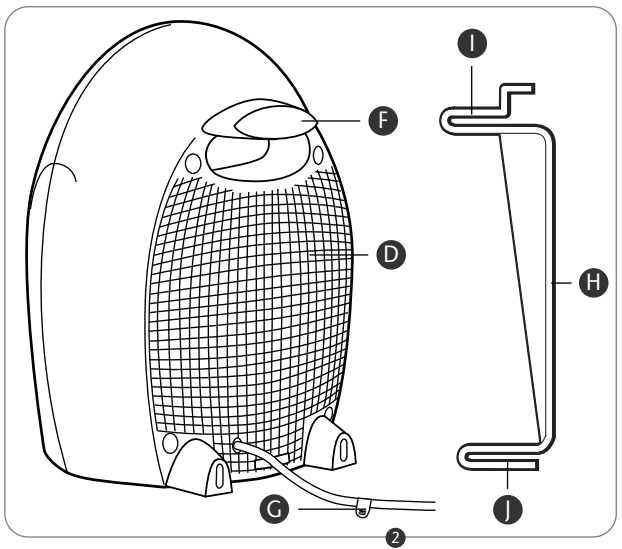
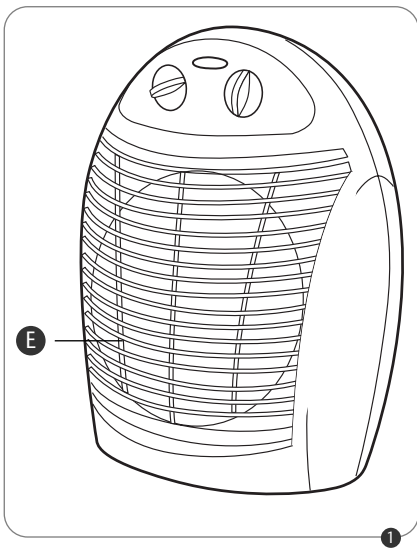
Gebruiksaanwijzing

Zorgvuldig lezen en bewaren

Instructions for use

Please read and keep in a safe place





DESCRIPTIF

F

- A. Bouton de sélection des fonctions
- B. Bouton de réglage de température : Thermostat
- C. Voyant mise sous tension
- D. Grille d'entrée d'air
- E. Grille de sortie d'air
- F. Poignée de transport
- G. Clip cordon
- H. Support mural
- I. Crochet supérieur du support mural
- J. Crochet inférieur du support mural

BESCHRIJVING

NL

- A. Functieschakelaar
- B. Temperatuurschakelaar: thermostaat
- C. Controlelampje 'aan/uit'
- D. Luchtinlaat-rooster
- E. Luchtuitlaat-rooster
- F. Handgreep
- G. Snoergeleider
- H. Muurbevestiging
- I. Bovenste haak van de muurbevestiging
- J. Onderste haak van de muurbevestiging

DESCRIPTION

GB

- A. Function-selection switch
- B. Temperature-control switch: Thermostat
- C. On/Off indicator
- D. Air intake screen
- E. Air outlet screen
- F. Transport handle
- G. Power cord holder
- H. Wall bracket
- I. Upper wall-bracket hook
- J. Lower wall-bracket hook

WARNINGS


It is essential that you read these instructions carefully and comply with the following recommendations.

- This appliance complies with European directives 73/23/EEC and 89/336/EEC.
- Before using, always check the condition of the appliance, the power socket and the power lead.
- Do not pull on the power cable or the appliance, even to unplug it from the wall socket.
- Fully unwind the lead each time before use.
- Never insert objects into the appliance (e.g. needles...).
- When in use, this appliance must be kept out of the reach of young children, animals and certain handicapped people.
- Do not use your appliance in a dusty room or a room where there is a risk of fire.
- This appliance is intended for domestic use only. It must therefore not be used in industrial applications.
- The warranty will be void in the event of damage arising from improper use.
- If the power cable is damaged, it must be replaced by the manufacturer, its after-sales service or a person with similar qualifications to avoid any danger.
- Do not place the unit directly beneath an electrical outlet.
- If the unit is attached to a wall, the outlet must remain accessible.
- Disposal of product no longer suitable for use: Place the unit in specialised collection/refuse treatment centres.

VERY IMPORTANT

- **WARNING:** To avoid risk of overheating, **NEVER PLACE OBJECTS ON TOP OF THE UNIT.**
- Do not use the unit in the proximity of flammable objects or products (curtains, aerosols, solvents, etc.)
- This appliance must not be used in damp places.
- Never use the unit in an inclined or horizontal position.
- Do not use this appliance near a bath, shower, sink or swimming pool.
- **NEVER ALLOW WATER TO PENETRATE THE APPLIANCE.**
- Do not touch the appliance with wet hands.
- In the event of a long absence: turn the button A (fig.3a/3c) to the initial setting ○ (mod. SO1010/SO1030) and unplug the appliance or turn the button B (fig.3b) to the initial setting ✱ (mod. SO1020) and unplug the appliance.

**VOLTAGE**

- Before first use, make sure that the voltage being used corresponds to what is indicated on the unit and that the electrical installation is adapted to the power level indicated.
- Your appliance can be used with a power plug without an earth connection. It is a class II appliance (dual electrical insulation ).

SAFETY**Heat safety**

- In the event of abnormal overheating, a safety device shuts down the appliance and then automatically restarts it once it has cooled. If the fault persists or gets worse, a thermal fuse shuts the appliance down definitively and it must then be taken to an approved service centre.

Before turning the unit on, make sure:

- it is positioned as described in these instructions,
- that it is placed in a flat and horizontal position, and;
- that the air intake and outlet screens are free of all obstacles.

• **Function Selection (mod. SO1010/SO1030) :**

Select the desired function by turning switch (A fig.3a et 3c) to line up the marking on the switch with one of the following symbols:

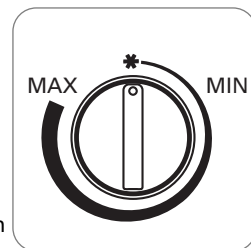
- : Off
- ❄️ : Cooling
- : 1000W
- : 2000W

• **Indicator :**

- On/Off indicator (C fig.4), lights up when the unit is turned on.

• **Thermostat (mod. SO1020/SO1030) :**

Adjust the temperature setting, according to your own comfort, by turning button B (fig.4)



• **Frost-free setting * (mod. SO1020/SO1030) :**

This setting enables you to automatically maintain the temperature above 0°C in a normally insulated room, whose volume corresponds to the power of your appliance.

mod. SO1020 : Plug in the unit and turn switch B (fig.3b) to line up the marking on the switch with the " * " symbol.

mod. SO1030 : Plug in the unit and turn switch B (fig.3c) to line up the marking on the switch with the " * " symbol and turn switch A (fig.3c) to select one of the following: • 1000W or •• 2000W

• **Cold ventilation setting ❄️:**

This setting enables you to use your fan heater as a fan in summer.

INSTALLATION ON WALL

The unit is made for wall use.

It must be positioned correctly and in a vertical orientation (switch located in the upper zone; see fig 4)

You must use the provided wall brackets (K) to attach the unit to the wall.

The minimum distances described in fig.4 must be respected.

Mounting: see fig. 5a.

- Fix the wall support with screws and appropriate plugs according to the direction indicated by the arrow.
- Clip the lower hook (J) of the wall support on to the bottom of the appliance.
- Clip the upper hook (I) of the wall support in the carrying handle of the appliance.

Removal: see fig. 5b.

- Press on the tab of the upper hook of the wall support and disengage the appliance from the hook.
- Maintain the appliance and press on the tab of the lower hook of the wall support.
- Disengage the appliance from the wall support.

CLEANING



- Your appliance must be unplugged before proceeding with any cleaning work.
- You can clean it with a slightly damp cloth.
- **IMPORTANT:** Never use abrasive products which might damage the appearance of your appliance.
- We recommend that you clean the air inlet and outlet grills at least once a year; (clean with a vacuum cleaner if necessary).

STORAGE



- It is extremely important that the unit be allowed to cool down before it is put away.
- When storing your appliance, you can wind the lead around the stand and clip the end into the lead clip (G).
- When you are not using your appliance, store it in a dry place.

IN THE EVENT OF PROBLEMS



- Never dismantle your appliance yourself. A poorly repaired appliance may be dangerous for the user.
- Before contacting one of our Approved Service Centres (see enclosed list), ensure that:
 - the appliance is set to normal operating mode;
 - the air inlet and outlet grills are totally clear.