

## Notice d'emploi

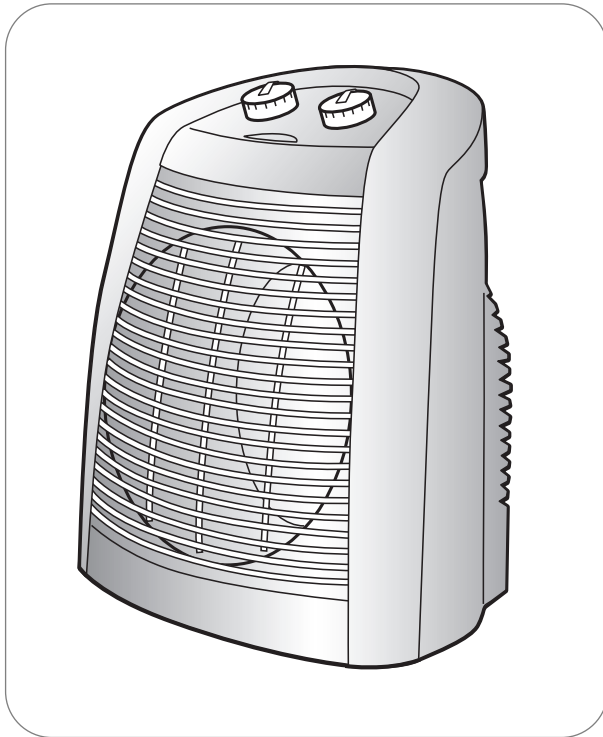
A lire attentivement et à conserver

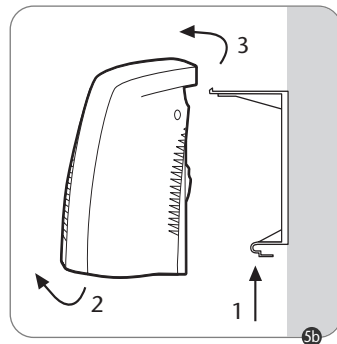
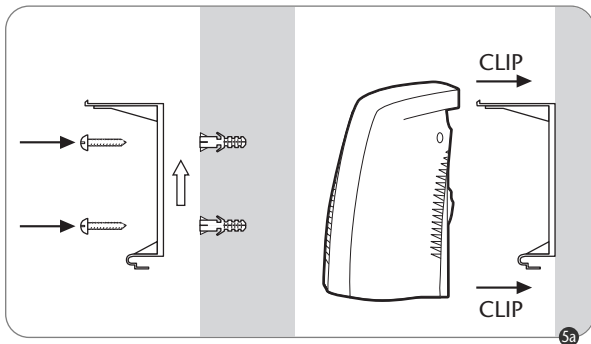
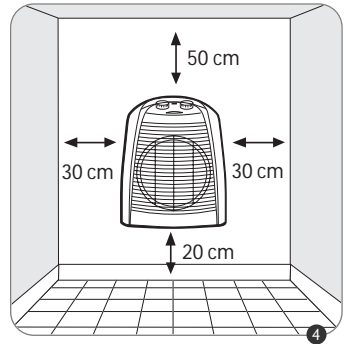
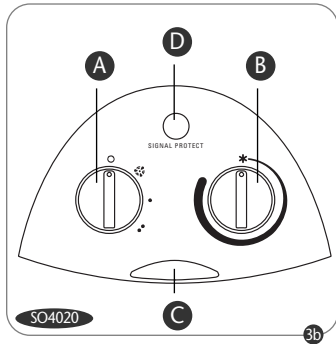
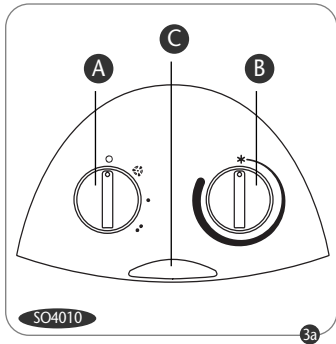
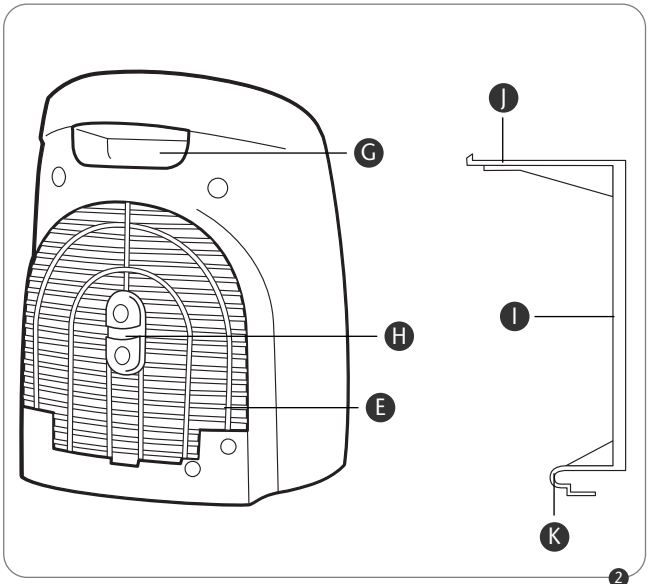
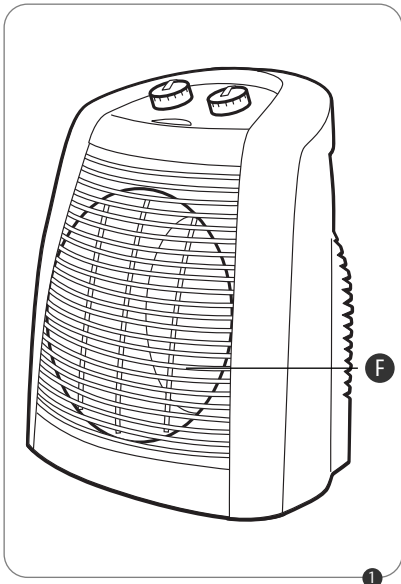
## Gebruiksaanwijzing

Zorgvuldig lezen en bewaren

## Instructions for use

Please read and keep in a safe place






## WARNINGS


It is essential that you read these instructions carefully and comply with the following recommendations.

- This appliance complies with European directives 73/23/EEC and 89/336/EEC.
- Before using, always check the condition of the appliance, the power socket and the power lead.
- Do not pull on the power cable or the appliance, even to unplug it from the wall socket.
- Fully unwind the lead each time before use.
- Never insert objects into the appliance (e.g. needles...).
- When in use, this appliance must be kept out of the reach of young children, animals and certain handicapped people.
- Do not use your appliance in a dusty room or a room where there is a risk of fire.
- This appliance is intended for domestic use only. It must therefore not be used in industrial applications.
- The warranty will be void in the event of damage arising from improper use.
- If the power cable is damaged, it must be replaced by the manufacturer, its after-sales service or a person with similar qualifications to avoid any danger.
- Do not place the unit directly beneath an electrical outlet.
- If the unit is attached to a wall, the outlet must remain accessible.
- Disposal of product no longer suitable for use: Place the unit in specialised collection/refuse treatment centres.

## VERY IMPORTANT

- **WARNING:** To avoid risk of overheating, NEVER PLACE OBJECTS ON TOP OF THE UNIT.
- Do not use the unit in the proximity of flammable objects or products (curtains, aerosols, solvents, etc.) 
- This appliance must not be used in damp places
- Never use the unit in an inclined or horizontal position.
- Do not use this appliance near a bath, shower, sink or swimming pool.
- NEVER ALLOW WATER TO PENETRATE THE APPLIANCE.
- Do not touch the appliance with wet hands.
- In the event of a long absence: turn the button A (fig.3) to the initial setting ○ and unplug the appliance.

## VOLTAGE

- Before first use, make sure that the voltage being used corresponds to what is indicated on the unit and that the electrical installation is adapted to the power level indicated.
- Your appliance can be used with a power plug without an earth connection. It is a class II appliance (dual electrical insulation ).

## SAFETY

**Mod. SO4010:**

- In the event of abnormal overheating, a safety device shuts down the appliance and then automatically restarts it once it has cooled. If the fault persists or gets worse, a thermal fuse shuts the appliance down definitively and it must then be taken to an approved service centre.

**Mod. SO4020:**

- In the event of abnormal overheating, a safety device shuts down the appliance and then automatically restarts it once it has cooled. If the fault persists or gets worse, a thermal fuse shuts the appliance down definitively and it must then be taken to an approved service centre.
- If the unit tips over, a safety device automatically turns it off. When placed back in an upright position, it will once again begin to operate.

In both cases, a warning beep will occur and the "Signal-Protect" indicator (D) will light up.

Before turning the unit on, make sure:

- it is positioned as described in these instructions,
- that it is placed in a flat and horizontal position, and;
- that the air intake and outlet screens are free of all obstacles.

• **Function Selection (mod. SO4010/SO4020) :**

Select the desired function by turning switch (A) to line up the marking on the switch with one of the following symbols:

- : Off
- ❄️ : Cooling
  - : 1200W
  - : 2400W

• **Indicator :**

- On/Off indicator (C fig.4), lights up when the unit is turned on.
- "Signal Protect" indicator (D fig.4c), lights up in case of overheating or if the unit tips over. Only for Mod.SO4020.

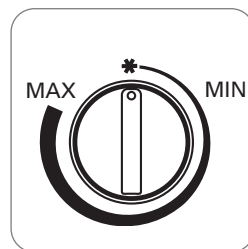
• **Thermostat :**

Adjust the temperature setting, according to your own comfort, by turning button B (fig.4)

• **Frost-free setting \* :**

This setting enables you to automatically maintain the temperature above 0°C in a normally insulated room, whose volume corresponds to the power of your appliance.

Plug in the unit and turn switch B to line up the marking on the switch with the " \* " symbol and turn switch A to select one of the following: • 1200W or •• 2400W



• **Cold ventilation setting ❄️ :**

This setting enables you to use your fan heater as a fan in summer.

## INSTALLATION ON WALL

The unit is made for wall use.

It must be positioned correctly and in a vertical orientation (switch located in the upper zone; see fig 4)

You must use the provided wall brackets (I) to attach the unit to the wall.

The minimum distances described in fig.4 must be respected.

**Wall Attachment: see fig. 5a.**

- Attach the wall bracket with appropriate screws and plugs following the direction of the arrow.
- Insert the upper wall-bracket hook (J) in the unit's transport handle (G), and clip the lower wall-bracket hook (K) onto the unit.

**Taking Down the Unit: see fig. 5b.**

- Maintain a solid grip on the unit and push down upon the lower tongue of the wall bracket.
- Pull the unit out from the bottom.
- Lift the unit up and remove it from the upper hook.

## CLEANING



- Your appliance must be unplugged before proceeding with any cleaning work.
- You can clean it with a slightly damp cloth.
- **IMPORTANT:** Never use abrasive products which might damage the appearance of your appliance.
- We recommend that you clean the air inlet and outlet grills at least once a year; (clean with a vacuum cleaner if necessary).

## STORAGE



- It is extremely important that the unit be allowed to cool down before it is put away.
- When storing your appliance, you can wind the lead around the stand and clip the end into the lead clip (H).
- When you are not using your appliance, store it in a dry place.

## IN THE EVENT OF PROBLEMS



- Never dismantle your appliance yourself. A poorly repaired appliance may be dangerous for the user.
- Before contacting one of our Approved Service Centres (see enclosed list), ensure that:
  - the appliance is set to normal operating mode;
  - the air inlet and outlet grills are totally clear.